



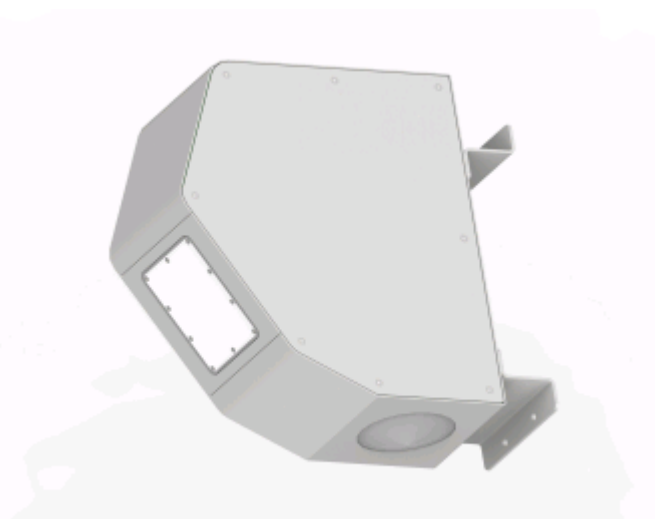
SPR300WQX Non-contact measurements of water parameters

APPLICATIONS

- Hydrological control.
- Non-contact measurements of water parameters.

KEY FEATURES

- Non-contact measurement of water velocity, level and discharge.
- Velocity measuring up to 15 m/s, accuracy up to $\pm 0,02$ m/s.
- Water level measuring range up to 20m, accuracy up to ± 3 mm.
- Insensitive to fog, precipitation and temperature.
- Installation with minimal construction work.
- Maintenance free.
- Dual direction flow measurement.
- RS232 / RS485 interface.
- Compact design.
- Low power consumption.
- Compatible with Smartyplanet.



The SPR300WQX flow radar is the ideal solution for non-contact surface flow measurement, water velocity and water discharge and level.

The sensor is used to monitor the flow velocity of open channels such as rivers, irrigation canals or sewage systems, and for monitoring and control of hydroelectric plants and wastewater treatment plants.

The flow meter is also suitable for various mass flow metering applications in mining processing plants, industrial plants and, due to its operation without moving parts and robust mechanical design, is ideal for the measurement of flammable fluids and harsh chemical applications.

Non-contact radar technology allows quick and easy installation of the sensor above the surface of the water. The maintenance required is minimal.

The data recorded by this radar can be recorded and analyzed instantly thanks to its full compatibility with the **SmartyPlanet web platform**.

Parameters	
Technology	Radar Doppler and Impulses
Velocity measuring range	0,1 – 15 m/s
Velocity measuring accuracy	±0,02 m/s
Velocity measuring resolution	1 mm
Level measuring range	20 m
Level measuring accuracy	±3 mm
Level measuring resolution	1 mm
Operating current	150 mA at 12VDC
Vibration resistance	With 4g and 5g... 100Hz
Protection / Housing	IP67
Operating temperature	-40 – 80°C
Interface	RS232/ RS485
Measuring mode	Continuous
Electromagnetic compatibility	CE, FCC
Dimensions	325*280*135
Weight	7 kg

Code	SP R-2-300W-QX	SP R-2-300W-QX-30
Measuring range	Velocity: 0,1 – 15m/s Level: 0,1 – 20m	Velocity: 0,1 – 15m/s Level: 0,1 – 30m
Communication interface	RS485/232 9600 bps 8bit, non parity 1 bit stop	RS485/232 9600 bps 8bit, non parity 1 bit stop
Power supply	9 – 24 VDC	9 – 24 VDC
Protocol	Modbus RTU	Modbus RTU
Beam angle	Velocity sensor: 12° Level sensor: 8°	Velocity sensor: 12° Level sensor: 8°
Touch screen controller	Optional	Optional



Plug and play Installation

The design of this Station allows his installation under the concept 'to plug and play'. He places of simple form on posts, walls or poles, and his entail with the web of visualization is immediate and automatic.



Without complicated infrastructures

With the different models of station it will be able to create networks of sensors adapted to the needs of his sector, without need of complicated infrastructures not costly.



Better relation Cost - benefit

The new concept of station of sensors allows to have the best technology to monitor and to control his resources to a cost very lower than other existing alternatives on the market.



Visualization in web page

The control of the sensors is realized by means of a web application personalized with multiple functionalities as alarms, historical, multiple users, etc.. Accessible from any device connected to Internet.



Sensors Networks

The number of Stations to linking to his network is unlimited, being able to incorporate different models and configurations to form extensive networks that connect the information of his resources to Internet, to give response to the Smart cities of the future



Multiple sensors

There are multiple the precision sensors that can join. The model of Station selects depending on the type and I number of sensors that he needs.